



Thermal overload relay RANGE 1-1.6A Class 10 For mounting on 3MT7 contactors
Size 0,1,2 Main circuit: Screw Auxiliary circuit: Screw Manual Automatic reset

| | |
|--|-----------------------------|
| product brand name | SINOVA |
| product designation | Thermal overload relay |
| product type designation | 3MU7 |
| General technical data | |
| size of overload relay | Size 1 |
| size of contactor can be combined company-specific | 3MT7 Size 0, 1, 2 |
| power loss [W] for rated value of the current at AC in hot operating state | 10.8 W |
| • per pole | 3.6 W |
| insulation voltage with degree of pollution 3 at AC rated value | 690 V |
| surge voltage resistance of main circuit rated value | 6 kV |
| shock resistance according to IEC 60068-2-27 | 15g / 11 ms |
| reference code according to IEC 81346-2 | F |
| Substance Prohibitance (Date) | 07/01/2022 |
| Weight | 0.175 kg |
| Ambient conditions | |
| installation altitude at height above sea level maximum | 2 000 m |
| ambient temperature | |
| • during operation | -5 ... +55 °C |
| • during storage | -25 ... +70 °C |
| temperature compensation | -5 ... +55 °C |
| relative humidity during operation | 10 ... 95 % |
| Main circuit | |
| number of poles for main current circuit | 3 |
| type of voltage for main current circuit | AC |
| operating voltage | |
| • rated value | 690 V |
| • at AC-3 rated value maximum | 690 V |
| operating frequency rated value | 50 ... 60 Hz |
| operational current rated value | 1.6 A |
| operational current at AC-3 at 400 V rated value | 1.6 A |
| operating power at AC-3 | |
| • at 400 V rated value | 0.55 kW |
| • at 690 V rated value | 1.1 kW |
| Auxiliary circuit | |
| number of NC contacts for auxiliary contacts | 1 |
| • note | for contactor disconnection |
| number of NO contacts for auxiliary contacts | 1 |
| • note | for message "Tripped" |
| operational current of auxiliary contacts at AC-15 | |

| | | | |
|--|--|--------------|--------------------|
| <ul style="list-style-type: none"> • at 24 V • at 110 V • at 690 V | 4.17 A 3.64 A 0.7 A | | |
| operational current of auxiliary contacts at DC-13 | | | |
| <ul style="list-style-type: none"> • at 24 V • at 110 V • at 220 V | 4.17 A 0.45 A 0.2 A | | |
| Short-circuit protection | | | |
| design of the fuse link | | | |
| <ul style="list-style-type: none"> • for short-circuit protection of the main circuit with type of assignment 2 required • for short-circuit protection of the auxiliary switch required | gG: 4 A, Type-2 co-ordination fuse gG: 10 A | | |
| Installation/ mounting/ dimensions | | | |
| mounting position | 22.5° Inclination forward and backward & ± 90° rotation, in relation to normal vertical mounting plane | | |
| fastening method | Contacteur mounting | | |
| height | 64 mm | | |
| width | 44 mm | | |
| depth | 92 mm | | |
| Connections/ Terminals | | | |
| type of electrical connection | | | |
| <ul style="list-style-type: none"> • for main current circuit • for auxiliary and control circuit | screw-type terminals screw-type terminals | | |
| type of connectable conductor cross-sections for main contacts | | | |
| <ul style="list-style-type: none"> • solid or stranded • finely stranded with core end processing | 1x (1 ... 6 mm ²) 1x (1 ... 10 mm ²) | | |
| type of connectable conductor cross-sections for auxiliary contacts | | | |
| <ul style="list-style-type: none"> • solid or stranded • finely stranded with core end processing | 1x (1 ... 4 mm ²) 1x (1 ... 4 mm ²) | | |
| tightening torque | | | |
| <ul style="list-style-type: none"> • for main contacts with screw-type terminals • for auxiliary contacts with screw-type terminals | 1.85 N·m 1.2 N·m | | |
| design of the thread of the connection screw | | | |
| <ul style="list-style-type: none"> • for main contacts • of the auxiliary and control contacts | M4 M3.5 | | |
| Electrical Safety | | | |
| protection class IP on the front according to IEC 60529 | IP20 | | |
| touch protection on the front according to IEC 60529 | finger-safe, for vertical contact from the front | | |
| Display | | | |
| display version for switching status | Trip indicator | | |
| Approvals Certificates | | | |
| General Product Approval | Test Certificates | other | Environment |



[Type Test Certificates/Test Report](#)

[Confirmation](#)

[Environmental Confirmations](#)

Further information

Information on the packaging

<https://support.industry.siemens.com/cs/ww/en/view/109813875>

Information- and Downloadcenter (Catalogs, Brochures,...)

<https://www.siemens.com/ic10>

Industry Mall (Online ordering system)

<https://mall.industry.siemens.com/mall/en/en/Catalog/product?mlfb=3MU7110-0FA0>

Cax online generator

<http://support.automation.siemens.com/WWW/CAXorder/default.aspx?lang=en&mlfb=3MU7110-0FA0>

Service&Support (Manuals, Certificates, Characteristics, FAQs,...)

<https://support.industry.siemens.com/cs/ww/en/ps/3MU7110-0FA0>

Image database (product images, 2D dimension drawings, 3D models, device circuit diagrams, EPLAN macros, ...)

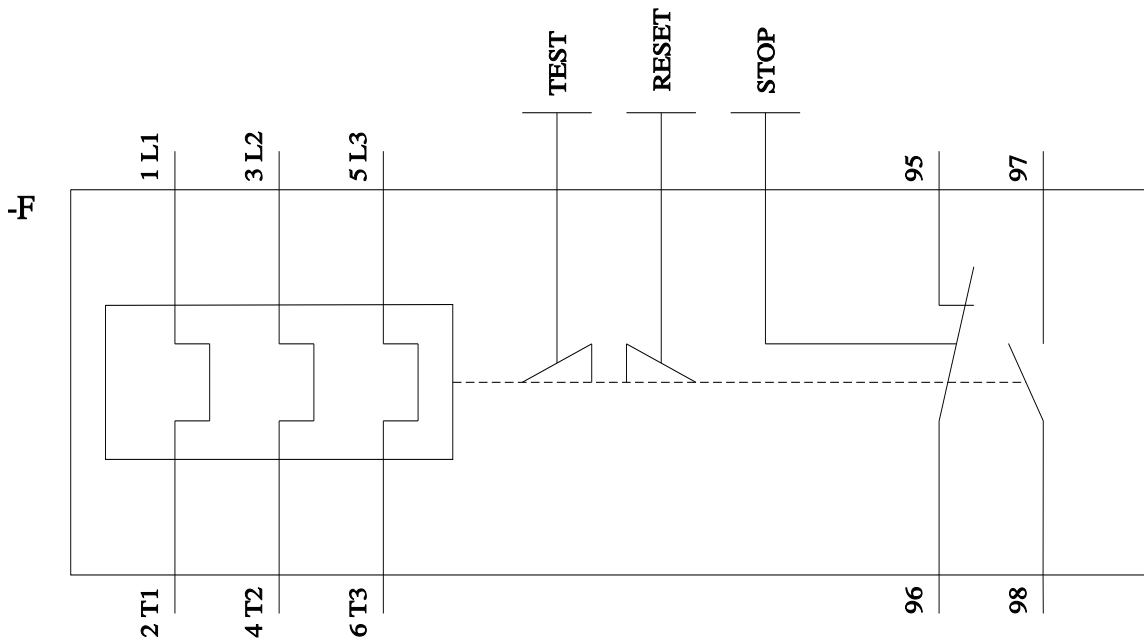
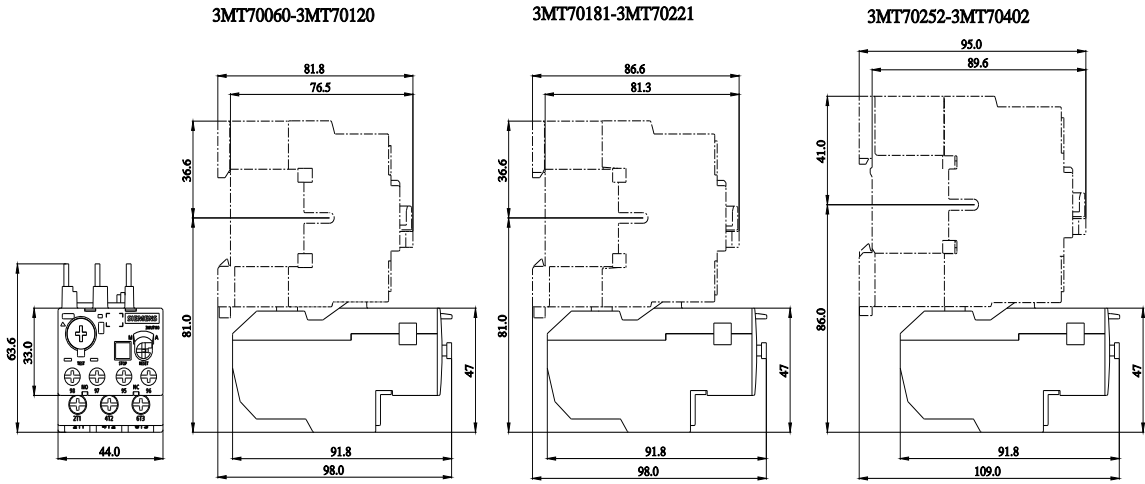
http://www.automation.siemens.com/bilddb/cax_de.aspx?mlfb=3MU7110-0FA0&lang=en

Characteristic: Tripping characteristics, I_t, Let-through current

<https://support.industry.siemens.com/cs/ww/en/ps/3MU7110-0FA0/char>

Further characteristics (e.g. electrical endurance, switching frequency)

<http://www.automation.siemens.com/bilddb/index.aspx?view=Search&mlfb=3MU7110-0FA0&objecttype=14&gridview=view1>



last modified:

2/14/2023 