

Actuator key switch, L-KR 22 mm metal shiny round key selector switch 2 switch positions L-KR with 2 keys 90DEG, V position latching removal pos. right with holder



product brand name	SIRIUS
product category	Commanding and signaling devices
product designation	Key-operated switch
design of the product	Actuating/signaling element
product type designation	3SB6
product line	Metal, shiny, 22 mm
principle of operation of the actuating element	maintained
color	
• of the actuating element	black
material of the actuating element	plastic
shape of the actuating element	round
number of switching positions	2
material of the front ring	metal
color of the front ring	shiny
protection class IP	IP65
Substance Prohibitation (Date)	03/01/2017
Weight	106.5 g

Ambient conditions	
ambient temperature during operation	70 ... -25 °C
mounting diameter	22 mm
mounting height	46.5 mm
installation width	30 mm

Approvals Certificates		
General Product Approval	other	Environment



[Confirmation](#)

[Environmental Confirmations](#)

Further information

Information on the packaging

<https://support.industry.siemens.com/cs/ww/en/view/109813875>

Information- and Downloadcenter (Catalogs, Brochures,...)

<https://www.siemens.com/ic10>

Industry Mall (Online ordering system)

<https://mall.industry.siemens.com/mall/en/en/Catalog/product?mlfb=3SB6060-4AA21-0YA0>

Cax online generator

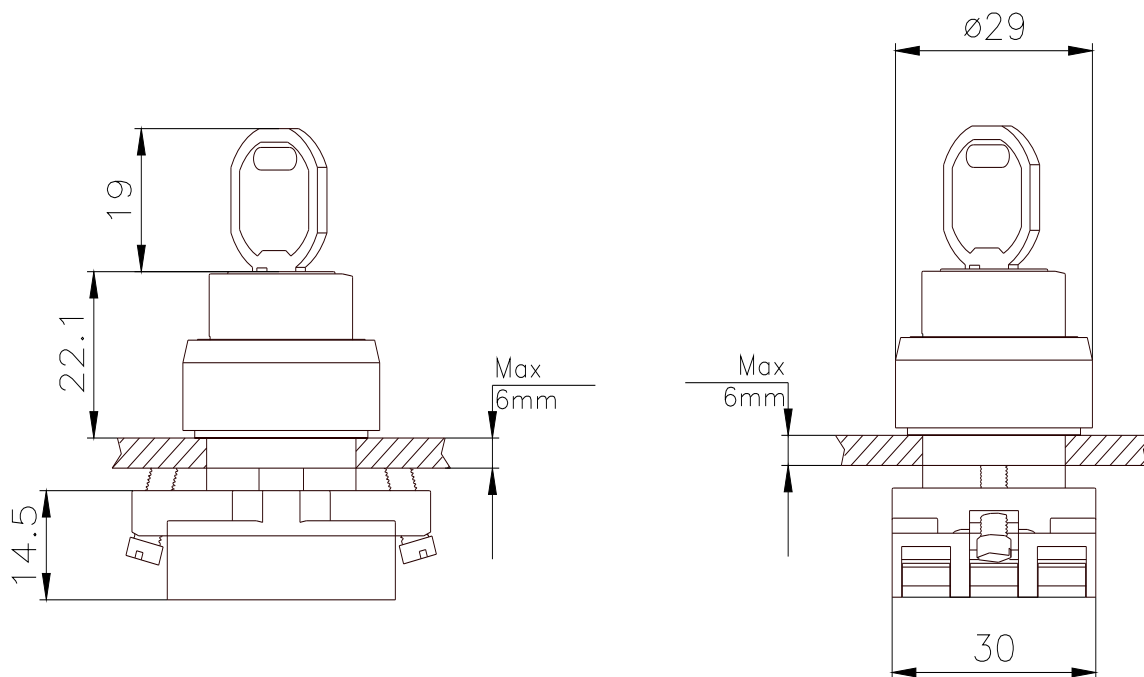
<http://support.automation.siemens.com/WWW/CAXorder/default.aspx?lang=en&mlfb=3SB6060-4AA21-0YA0>

Service&Support (Manuals, Certificates, Characteristics, FAQs,...)

<https://support.industry.siemens.com/cs/ww/en/ps/3SB6060-4AA21-0YA0>

Image database (product images, 2D dimension drawings, 3D models, device circuit diagrams, EPLAN macros, ...)

http://www.automation.siemens.com/bilddb/cax_de.aspx?mlfb=3SB6060-4AA21-0YA0&lang=en



last modified:

2/5/2021 