



Figure similar

Actuator pushbutton 22 mm metal shiny round illuminated pushbutton momentary with flat button with holder green

product brand name	SIRIUS
product category	Commanding and signaling devices
product designation	Illuminated pushbutton
design of the product	Actuating/signaling element
product type designation	3SB6
product line	Metal, shiny, 22 mm
principle of operation of the actuating element	momentary
product extension optional light source	No
color of the actuating element	green
material of the actuating element	plastic
product component front ring	No
material of the front ring	metal shiny
color of the front ring	chrome
protection class IP	IP65
shock resistance according to IEC 60068-2-27	15g / 11 ms
vibration resistance according to IEC 60068-2-6	10 ... 500 Hz: 5g
mechanical service life (operating cycles) typical	3 000 000
Substance Prohibition (Date)	03/01/2017
Weight	63 g
ambient temperature	
• during operation	-25 ... +70 °C
• during storage	-40 ... +80 °C
mounting diameter	22.3 mm
mounting height	46.5 mm
installation width	30 mm

Approvals Certificates

General Product Approval	other	Environment
--------------------------	-------	-------------



[Confirmation](#)

[Environmental Confirmations](#)

Further information

Information on the packaging

<https://support.industry.siemens.com/cs/ww/en/view/109813875>

Information- and Downloadcenter (Catalogs, Brochures,...)

<https://www.siemens.com/ic10>

Industry Mall (Online ordering system)

<https://mall.industry.siemens.com/mall/en/en/Catalog/product?mlfb=3SB6061-0AB40-0YA0>

Cax online generator

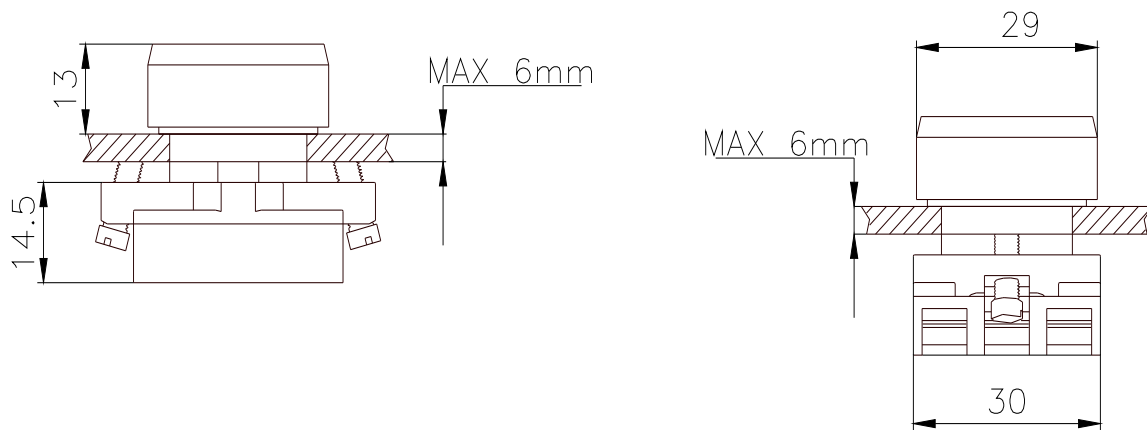
<http://support.automation.siemens.com/WW/CAXorder/default.aspx?lang=en&mlfb=3SB6061-0AB40-0YA0>

Service&Support (Manuals, Certificates, Characteristics, FAQs,...)

<https://support.industry.siemens.com/cs/ww/en/ps/3SB6061-0AB40-0YA0>

Image database (product images, 2D dimension drawings, 3D models, device circuit diagrams, EPLAN macros, ...)

http://www.automation.siemens.com/bilddb/cax_de.aspx?mlfb=3SB6061-0AB40-0YA0&lang=en



last modified:

2/5/2021 