



Siemens
EcoTech



holder, 3-way, plastic, minimum order quantity 5 or a multiple thereof

| | |
|--|------------------------------------|
| product brand name | SIRIUS ACT |
| product designation | Holders |
| design of the product | holder for plastic |
| product type designation | 3SU1 |
| manufacturer's article number | |
| • of the supplied holder | 3SU1500-0AA10-0AA0 |
| Actuator | |
| design of the actuating element | 3-way without module |
| number of contact modules | 0 |
| Holder | |
| material of the holder | Plastic |
| Display | |
| number of LED modules | 0 |
| General technical data | |
| product function positive opening | No |
| product component | |
| • diode | No |
| • lamp transformer | No |
| • light source | No |
| • series resistor | No |
| insulation voltage rated value | 500 V |
| degree of pollution | 3 |
| surge voltage resistance rated value | 6 kV |
| shock resistance | |
| • according to IEC 60068-2-27 | sinusoidal half-wave 15g / 11 ms |
| • for railway applications according to EN 61373 | Category 1, Class B |
| vibration resistance | |
| • according to IEC 60068-2-6 | 10 ... 500 Hz: 5g |
| • for railway applications according to EN 61373 | Category 1, Class B |
| reference code according to IEC 81346-2 | U |
| Substance Prohibitance (Date) | 10/01/2014 |
| Weight | 15.6 g |
| Auxiliary circuit | |
| number of NC contacts for auxiliary contacts | 0 |
| number of NO contacts for auxiliary contacts | 0 |
| Connections/ Terminals | |
| tightening torque of the screws in the bracket | 1 ... 1.2 N·m |

| Ambient conditions | |
|--|--|
| ambient temperature | |
| <ul style="list-style-type: none"> during operation during storage | -25 ... +70 °C -40 ... +80 °C |
| environmental category during operation according to IEC 60721 | 3M6, 3S2, 3B2, 3C3, 3K6 (with relative air humidity of 10 ... 95%, no condensation in operation permitted) |

| Environmental footprint | |
|--|-----------------|
| Environmental Product Declaration (EPD) | Yes |
| global warming potential [CO2 eq] total | 0.787 kg |
| global warming potential [CO2 eq] during manufacturing | 0.566 kg |
| global warming potential [CO2 eq] during operation | 0.235 kg |
| global warming potential [CO2 eq] after end of life | -0.015 kg |
| Siemens Eco Profile (SEP) | Siemens EcoTech |

| Installation/ mounting/ dimensions | |
|--|----------------------|
| fastening method | without |
| <ul style="list-style-type: none"> of modules and accessories | Front plate mounting |
| height | 40 mm |
| width | 30 mm |
| shape of the installation opening | round |
| installation width | 30 mm |
| installation depth | 30.1 mm |
| thickness of the front plate usable | 1 ... 6 mm |

| Approvals Certificates | | |
|--------------------------|-------------------|----------------------|
| General Product Approval | Test Certificates | Maritime application |



[Type Test Certificates/Test Report](#)



| Maritime application | other | Environment |
|----------------------|-------|-------------|
|----------------------|-------|-------------|



[Confirmation](#)



Siemens EcoTech



Environment

[Environmental Confirmations](#)

Further information

Information on the packaging

<https://support.industry.siemens.com/cs/ww/en/view/109813875>

Information for data generation and storage

<https://support.industry.siemens.com/cs/ww/en/view/109995012>

Information- and Downloadcenter (Catalogs, Brochures,...)

<https://www.siemens.com/ic10>

Industry Mall (Online ordering system)

<https://mall.industry.siemens.com/mall/en/en/Catalog/product?mlfb=3SU1500-0AA10-0AA0>

Cax online generator

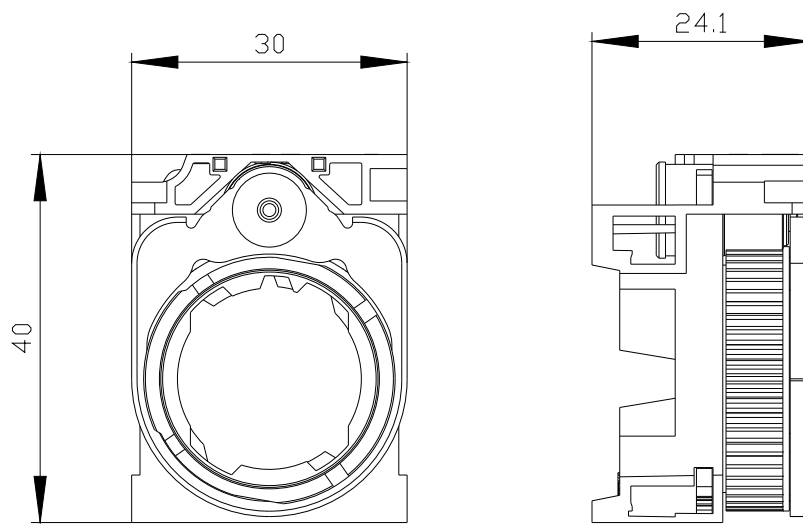
<http://support.automation.siemens.com/WW/CAXorder/default.aspx?lang=en&mlfb=3SU1500-0AA10-0AA0>

Service&Support (Manuals, Certificates, Characteristics, FAQs,...)

<https://support.industry.siemens.com/cs/ww/en/ps/3SU1500-0AA10-0AA0>

Image database (product images, 2D dimension drawings, 3D models, device circuit diagrams, EPLAN macros, ...)

http://www.automation.siemens.com/bilddb/cax_de.aspx?mlfb=3SU1500-0AA10-0AA0&lang=en



last modified:

4/2/2025 