



Indicator lights, 22 mm, round, plastic, red, lens, smooth, with holder, LED module, with integrated LED 230 V AC, screw terminal

| | |
|--|------------------------------------|
| product brand name | SIRIUS ACT |
| product designation | Indicator lights |
| design of the product | Complete unit |
| product type designation | 3SU1 |
| product line | Plastic, black, 22 mm |
| manufacturer's article number | |
| • of supplied LED module | 3SU1401-1BF20-1AA0 |
| • of the supplied holder | 3SU1550-0AA10-0AA0 |
| • of supplied repeater | 3SU1001-6AA20-0AA0 |
| Enclosure | |
| number of command points | 1 |
| Actuator | |
| product extension optional light source | Yes |
| color | |
| • of the actuating element | red |
| material of the actuating element | plastic |
| shape of the actuating element | round |
| outer diameter of the actuating element | 29.45 mm |
| Front ring | |
| product component front ring | No |
| Holder | |
| material of the holder | Plastic |
| Display | |
| number of LED modules | 1 |
| General technical data | |
| product component light source | Yes |
| insulation voltage rated value | 320 V |
| degree of pollution | 3 |
| surge voltage resistance rated value | 4 kV |
| protection class IP | IP66, IP67, IP69(IP69K) |
| protection class IP of the terminal | IP20 |
| degree of protection NEMA rating | 1, 2, 3, 3R, 4, 4X, 12, 13 |
| shock resistance | |
| • according to IEC 60068-2-27 | sinusoidal half-wave 15g / 11 ms |
| • for railway applications according to EN 61373 | Category 1, Class B |
| vibration resistance | |

| | |
|--|---|
| <ul style="list-style-type: none"> • according to IEC 60068-2-6 • for railway applications according to EN 61373 | 10 ... 500 Hz: 5g Category 1, Class B |
| reference code according to IEC 81346-2 | P |
| Substance Prohibittance (Date) | 10/01/2014 |
| SVHC substance name | Lead monoxide (lead oxide) - 1317-36-8 2-methyl-1-(4-methylthiophenyl)-2-morpholinopropan-1-one - 71868-10-5 |
| Net Weight | 42 g |
| Supply voltage | |
| type of voltage of the supply voltage of the light source | AC |
| supply voltage of the light source at AC | |
| <ul style="list-style-type: none"> • at 50 Hz rated value • at 60 Hz rated value • at 60 Hz rated value | 230 V 230 V 230 ... 230 V |
| relative negative tolerance of the supply voltage | 20 % |
| relative positive tolerance of the supply voltage | 20 % |
| Control circuit/ Control | |
| inrush current maximum | 3 A |
| Connections/ Terminals | |
| type of electrical connection | other |
| <ul style="list-style-type: none"> • of modules and accessories | Screw-type terminal |
| type of connectable conductor cross-sections | |
| <ul style="list-style-type: none"> • solid with core end processing • solid without core end processing • finely stranded with core end processing • finely stranded without core end processing • for AWG cables | 2x (0.5 ... 0.75 mm ²) 2x (1.0 ... 1.5 mm ²) 2x (0.5 ... 1.5 mm ²) 2x (1,0 ... 1,5 mm ²) 2x (18 ... 14) |
| tightening torque of the screws in the bracket | 1 ... 1.2 N·m |
| tightening torque with screw-type terminals | 0.8 ... 0.9 N·m |
| Lamp | |
| type of light source | LED |
| color of the light source | red |
| light intensity | 450 ... 1 120 mcd |
| Ambient conditions | |
| ambient temperature | |
| <ul style="list-style-type: none"> • during operation • during storage | -25 ... +70 °C -40 ... +80 °C |
| environmental category during operation according to IEC 60721 | 3M6, 3S2, 3B2, 3K6 (with relative air humidity of 10 ... 95%, no condensation in operation permitted for all devices behind front panel) |
| Installation/ mounting/ dimensions | |
| fastening method | front plate mounting |
| <ul style="list-style-type: none"> • of modules and accessories | Front plate mounting |
| height | 40 mm |
| width | 30 mm |
| shape of the installation opening | round |
| mounting diameter | 22.3 mm |
| positive tolerance of installation diameter | 0.4 mm |
| mounting height | 11.8 mm |
| installation width | 29.5 mm |
| installation depth | 49.7 mm |
| Approvals Certificates | |
| Environmental Product Declaration | |
| <ul style="list-style-type: none"> • global warming potential [CO2 eq] / during manufacturing • global warming potential [CO2 eq] / during operation • global warming potential [CO2 eq] / after end of life • global warming potential [CO2 eq] / total | 0.566 kg 0.235 kg -0.0145 kg 0.787 kg |
| Environment | General Product Approval |



[Environmental Con-
firmations](#)



General Product Approval

Test Certificates

Maritime application



[Type Test Certificates/Test Report](#)



Maritime application

other



[Confirmation](#)

Further information

Information on the packaging

<https://support.industry.siemens.com/cs/ww/en/view/109813875>

Information for data generation and storage

<https://support.industry.siemens.com/cs/ww/en/view/109995012>

Information- and Downloadcenter (Catalogs, Brochures,...)

<https://www.siemens.com/ic10>

Industry Mall (Online ordering system)

<https://mall.industry.siemens.com/mall/en/en/Catalog/product?mlfb=3SU1106-6AA20-1AA0>

Cax online generator

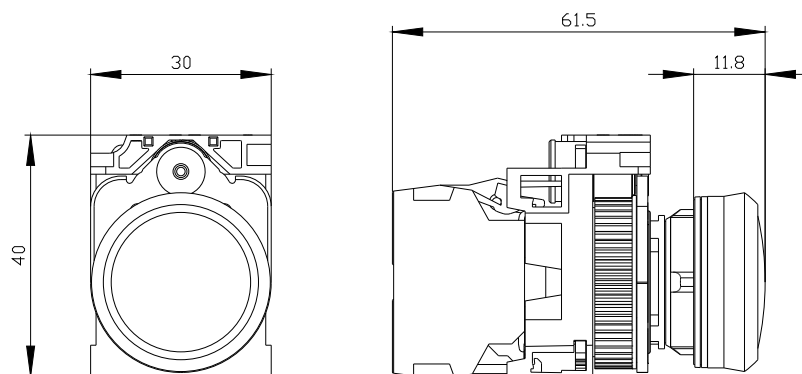
<https://support.automation.siemens.com/WW/CAXorder/default.aspx?lang=en&mlfb=3SU1106-6AA20-1AA0>

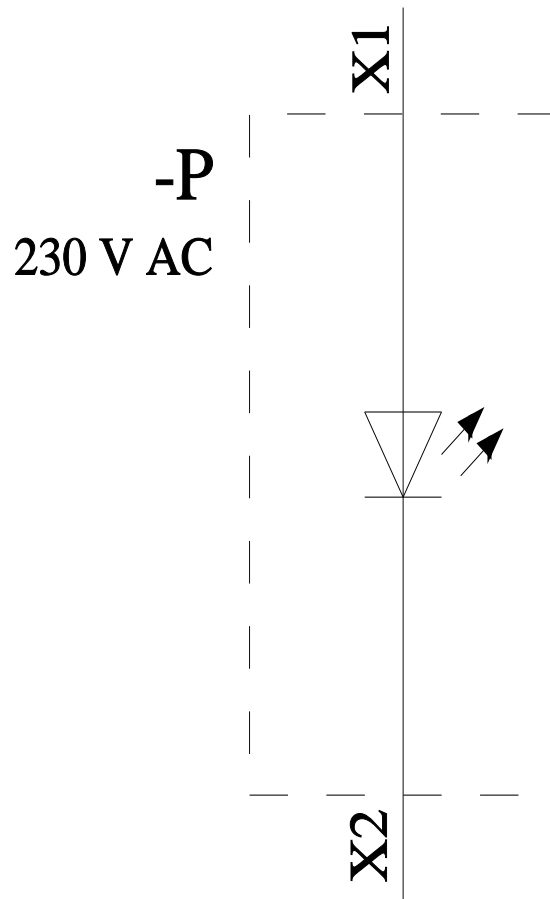
Service&Support (Manuals, Certificates, Characteristics, FAQs,...)

<https://support.industry.siemens.com/cs/ww/en/ps/3SU1106-6AA20-1AA0>

Image database (product images, 2D dimension drawings, 3D models, device circuit diagrams, EPLAN macros, ...)

https://www.automation.siemens.com/bilddb/cax_de.aspx?mlfb=3SU1106-6AA20-1AA0&lang=en





last modified:

4/2/2025 